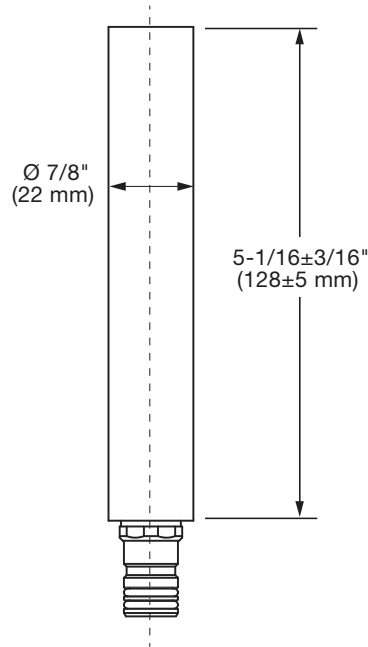


**MODEL NUMBER:**

☐ **9035888 5" Shower Arm Extension**

Includes:

- 5" Arm Extension



**GENERAL DESCRIPTION:**

Includes shower system 5" m extension. Use to extend shower arm for Right Angle shower systems.

Product Number	Description	Finish
		Polished Chrome
		002
9035888	Spectra Versa™ 5" Shower Arm Extension	